




JCM Fabricated Carbon Steel Weld On Tapping Outlets

All Stainless Steel Construction Available (304 & 316) Upon Request

Weld-on taps & connections - quick, dependable and economical with Weld On Fittings.

Outlets, partial sleeves and complete sleeves are readily available for steel pipe 6" and larger with size on size and reducing outlets. Outlets and partial sleeves are also available for tank and bulkhead use. Various configurations of this design are available. Featured below are the most popular.

Nom. Pipe Size (IN.)	Flanged Outlet			
		416 Type 1 Weld On Outlet	416 Type 3 Flanged Nozzle	416 Type 4 Hat Flange
4	x 3	\$ 250.00	\$ 208.00	\$ 242.00
	x 4	254.00	211.00	247.00
6	x 3	288.00	208.00	281.00
	x 4	300.00	211.00	293.00
	x 6	337.00	282.00	327.00
8	x 3	297.00	208.00	289.00
	x 4	309.00	211.00	303.00
	x 6	342.00	282.00	335.00
	x 8	419.00	301.00	412.00
10	x 3	306.00	208.00	298.00
	x 4	315.00	211.00	307.00
	x 6	349.00	282.00	342.00
	x 8	427.00	301.00	420.00
	x 10	580.00	470.00	571.00
12	x 3	316.00	208.00	307.00
	x 4	321.00	211.00	313.00
	x 6	359.00	282.00	352.00
	x 8	437.00	301.00	428.00
	x 10	599.00	470.00	591.00
	x 12	789.00	587.00	781.00

416 is standard without test plug. For optional test plug, add \$20.00 to list price.

Larger Sizes and Designs available upon request.

Stainless Steel Sleeves available upon request.

When ordering, furnish fitting type and pipe O.D.

Sleeves are fabricated to the exact O.D. of the pipe.

HOW TO ORDER - JCM Weld On Outlets

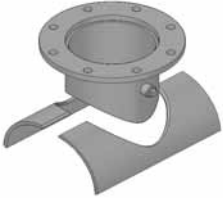
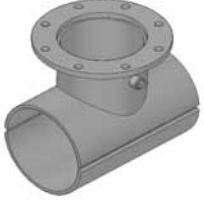
1. Determine pipe O.D. and outlet size.
2. Determine sleeve type required.
3. Specify sleeve type, pipe O.D. and outlet size.

Standard outlet flange is AWWA C207 Class D, ANSI 150lb. Drilling, recessed for tapping valve MSS-SP60. Other flanges available upon request.

EXAMPLE: For Standard Type 1 416 Weld On Outlet for steel pipe with 6.63 O.D. with 6" outlet, order: 416-0663 x 6 Type1.



Other Designs offered by JCM, price on application

	
416 Type 2 Three Piece	417 Type 1 Weld On Sleeve