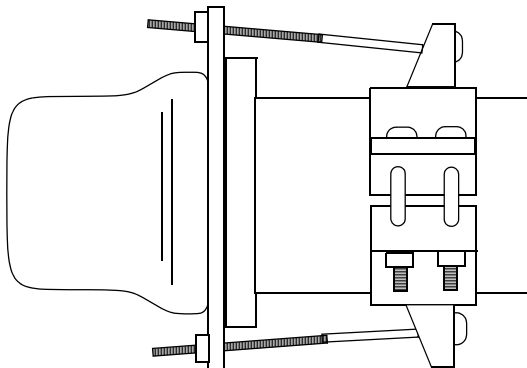


JCM

JCM 630 Restrainer for Asbestos Cement Pipe 4", 6", 8", 10", 12", 14", 16"

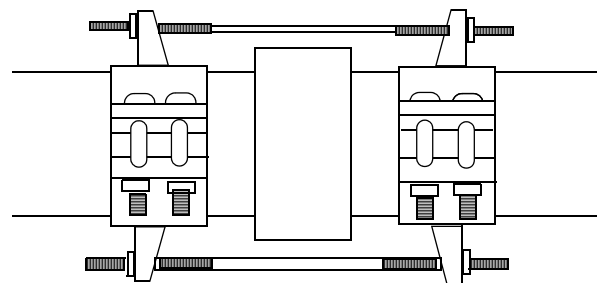
JCM 630 Restrainers have been developed to fill the need to anchor fittings, hydrants, valves and meters to 4 - 16 inch Asbestos Cement pipe. The wide supportive stance around the pipe combined with the split design make these restrainers ideal for retrofitting installations. Hydrants, dead ends, ground subsidence and unstable soils often require restraint other than concrete thrust blocking. The JCM 630 Restrainers have immediate availability and are an economical application for these fitting installations.



JCM 630 Fitting Restrainer

For fitting anchor ring, please furnish:

- Type of Fitting
- Space and Dimension Requirements



**JCM 631 Coupling Restrainers over
Asbestos Cement Coupling**

Available to fit to:

- Hydrants
- MJ Fittings
- Push On Fittings
- Restraint over A/C Couplings
- Valves
- Meters

Rated for 150 PSI Service

Ordering Information

JCM 630 Fitting Restrainer for Asbestos Cement Pipe

Restrainer for use with fittings, hydrants, flanged coupling adapters, meter and mechanical joints. Tie rods not included

Nominal Pipe Size	Pipe O.D.	Catalog Number	Optional Finishes	
			Shop Coat Alloy Bolts	Epoxy Coated Stainless Steel Bolts (ESS)
4"	4.80 - 5.10	630-0500	P.O.A.	P.O.A.
6"	7.05 - 7.40	630-0720	P.O.A.	P.O.A.
8"	9.27 - 9.60	630-0940	P.O.A.	P.O.A.
10"	11.76 - 12.24	630-1200	P.O.A.	P.O.A.
12"	14.08 - 14.56	630-1420	P.O.A.	P.O.A.
14"	16.30 - 16.73	630-1650	P.O.A.	P.O.A.
16"	18.62 - 19.19	630-1875	P.O.A.	P.O.A.

For optional Epoxy Coating add (E) to end of Catalog Number.

For optional Epoxy Coating and stainless steel bolts add (ESS) to end of Catalog Number.

JCM 631 Coupling Restrainer for Asbestos Cement Pipe

Restrainer for use over A/C coupling, MJ couplings and mechanical couplings. Tie rods (3/8") included with restrainer

Nominal Pipe Size	Pipe O.D.	Catalog Number	Optional Finishes	
			Shop Coat Alloy Bolts	Epoxy Coated Stainless Steel Bolts (ESS)
4"	4.80 - 5.10	631-0500	P.O.A.	P.O.A.
6"	7.05 - 7.40	631-0720	P.O.A.	P.O.A.
8"	9.27 - 9.60	631-0940	P.O.A.	P.O.A.
10"	11.76 - 12.24	631-1200	P.O.A.	P.O.A.
12"	14.08 - 14.56	631-1420	P.O.A.	P.O.A.
14"	16.30 - 16.73	631-1650	P.O.A.	P.O.A.
16"	18.62 - 19.19	631-1875	P.O.A.	P.O.A.

For optional Epoxy Coating add (E) to end of Catalog Number.

For optional Epoxy Coating and stainless steel bolts add (ESS) to end of Catalog Number.

Material Specifications

Restrainer Body: Pressure Vessel Quality Steel ASTM A-283 Grade C

Bolts and Nuts: Corrosion resistant high strength, low alloy AWWA C-111, ANSI 21.11.
Optional stainless steel, 18-8 Type 304.

Finish: Standard Shop Coat - heavy coating of corrosion inhibiting metal primer.
Optional Fusion applied Epoxy Coating AWWA C-213.

JCM Industries, Inc. / P. O. Box 1220 / Nash, TX 75569-1220
Call Toll Free: 800-527-8482 or 903-832-2581