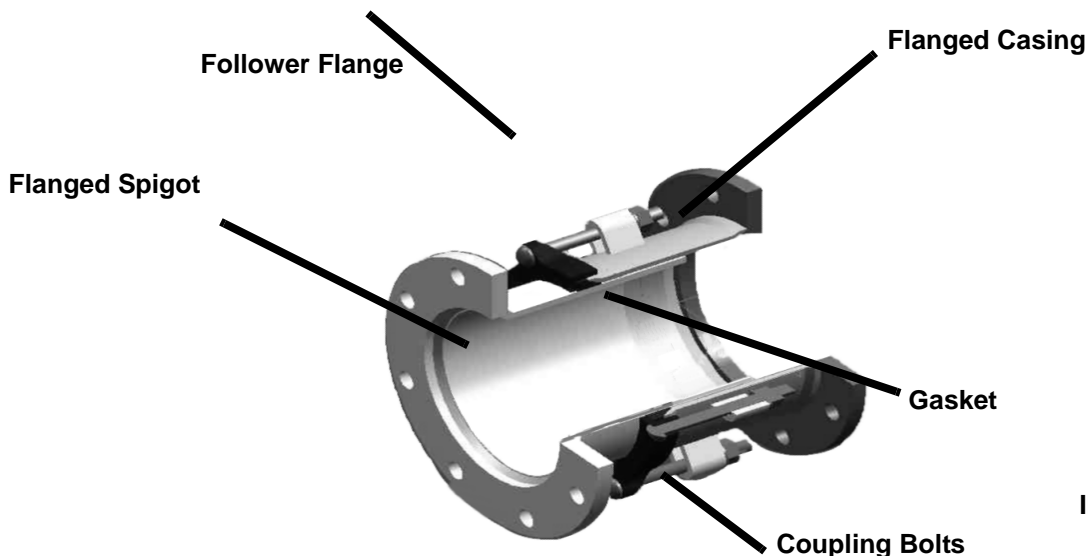


1. Clean flange area of all dirt, rust, mud or loose scale from pipe ends. Measure the pipe system flanges and fitting flanges to confirm proper size of dismantling joint. Measure gap or take-up area to determine distance required and confirm 309 capability (2" standard adjustment). Inspect the flanged ends for any gouges, grooves, irregularities or imperfections that will interfere with the flange connection. Inspection of the pipe's integrity for product application is the responsibility of the end user.
2. Loosen **coupling bolts of follower flange** to loosen gasket seal and allow for easy movement of flanged spigot into flanged casing. Do not disassemble fitting.
3. Close the dismantling joint by **pushing the flanged spigot into the flanged casing**, reduce laying length enough to install between pipe flange connections. *For restrained 309 fitting: loosen restrainer rod back-up nuts to allow for closing of fitting; remove outside nuts to install restrainer rods into pipe system flanges.*
4. Place fitting between pipe system flanged ends, use appropriate flange gaskets (not included), bolt **flanged casing** to pipe system flange. Adjust the length of the 309 dismantling joint by pulling (telescoping) the **flanged spigot** to the correct length to meet up with the opposite pipe system flange. Align bolt holes of flanges by rotating the flanged spigot if necessary. Proceed with bolt up of flanged spigot and pipe system flange connection. *For restrained 309 fitting: install restrainer rods to pipe system flanges, tighten back-up nuts to flange; install outside nuts onto restrainer rods and tighten.*
5. With 309 in place and both flanges bolted into pipe system, tighten the **coupling bolts** of the **follower flange** to **compress the gasket** onto the flanged spigot wall for a watertight seal. Tighten bolts to the following torque levels:

Recommended Torque of Bolts

5/8" Bolts 75 Foot Pounds



INT309-0502